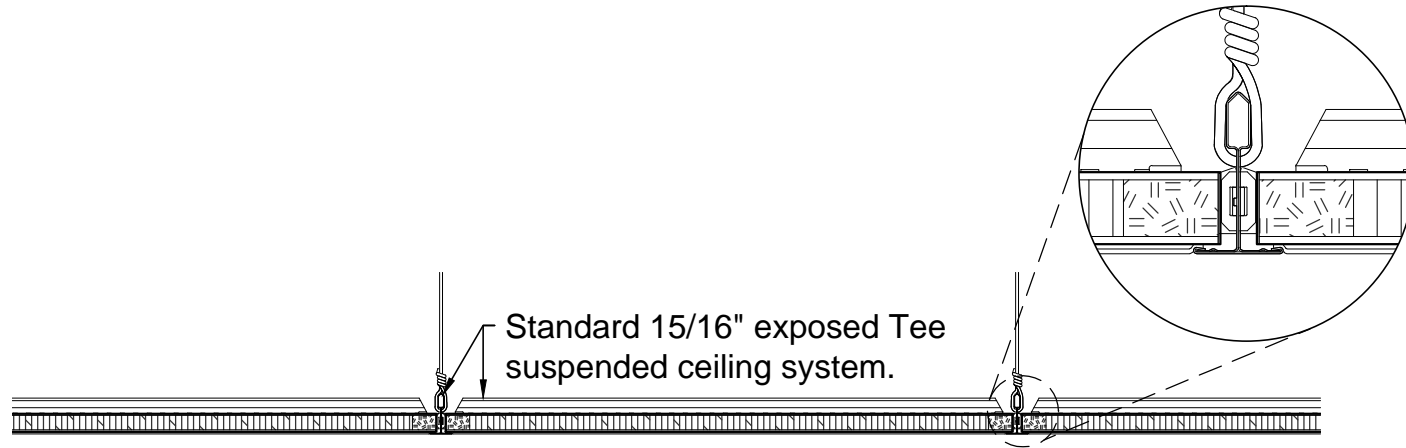
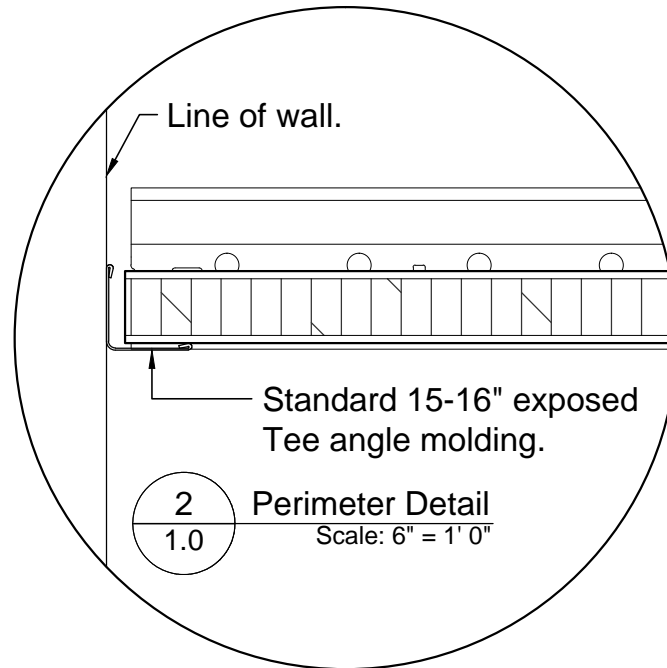


Richter Acoustic-Lightboard Sordino Acoustical Ceiling Panels Specifications and Details	Drwn. By: D. Novic	Richter veneer technology 1300 Tech Court Westminster, MD 21157 p: 888-872-4780 f: 410-581-0683
	Revision:	
	Revision:	
	Scale: As Shown	
02/07/2012		0.5



1 SE (Square Edge) Edge Profile
 1.0 Sordino Lay In Scale: 1-1/2" = 1' 0"



These drawings show typical conditions in which the Richter Furniertechnik GmbH & Co. KG product depicted is installed. They are not a substitute for an architect's or engineer's plan and do not reflect the unique requirements of local building codes, laws, statutes, ordinances, rules and regulations (Legal Requirements) that may be applicable for a particular installation. Richter Furniertechnik GmbH & Co. KG and/or Richter Veneer Technology does not warrant, and assumes no liability for the accuracy or completeness of the drawings for a particular installation or their fitness for a particular purpose. The user is advised to consult with a duly licensed architect or engineer in the particular locale of the installation to assure compliance with all Legal Requirements. Richter Furniertechnik GmbH & Co. KG and/or Richter Veneer Technology is not licensed to provide professional architecture or engineering design services.

Drwn. By: D. Novic

Revision:

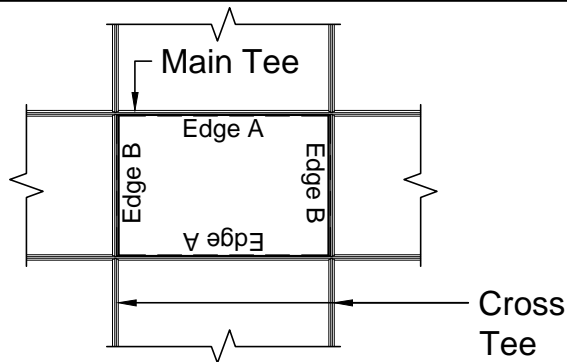
Revision:

Scale: As Shown

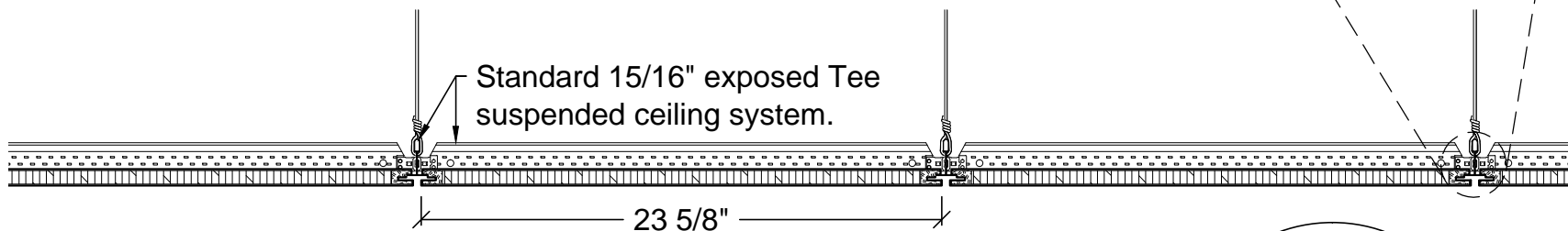
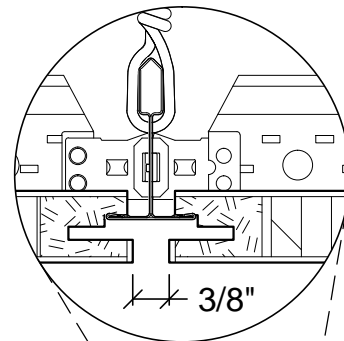
Richter Acoustic-Lightboard
 Sordino Acoustical Ceiling Panels
 SE - Square Edge Profile (Lay-In)

02/07/2012

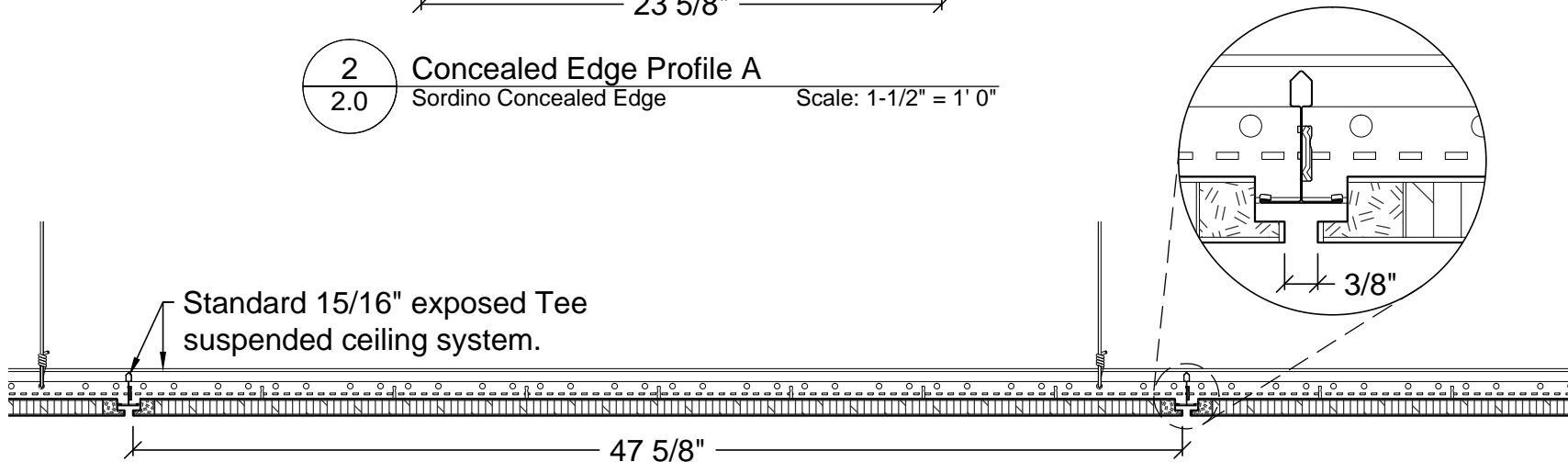
1.0



1
2.0 Plan View
Sordino - CE Scale: 3/8" = 1' 0"

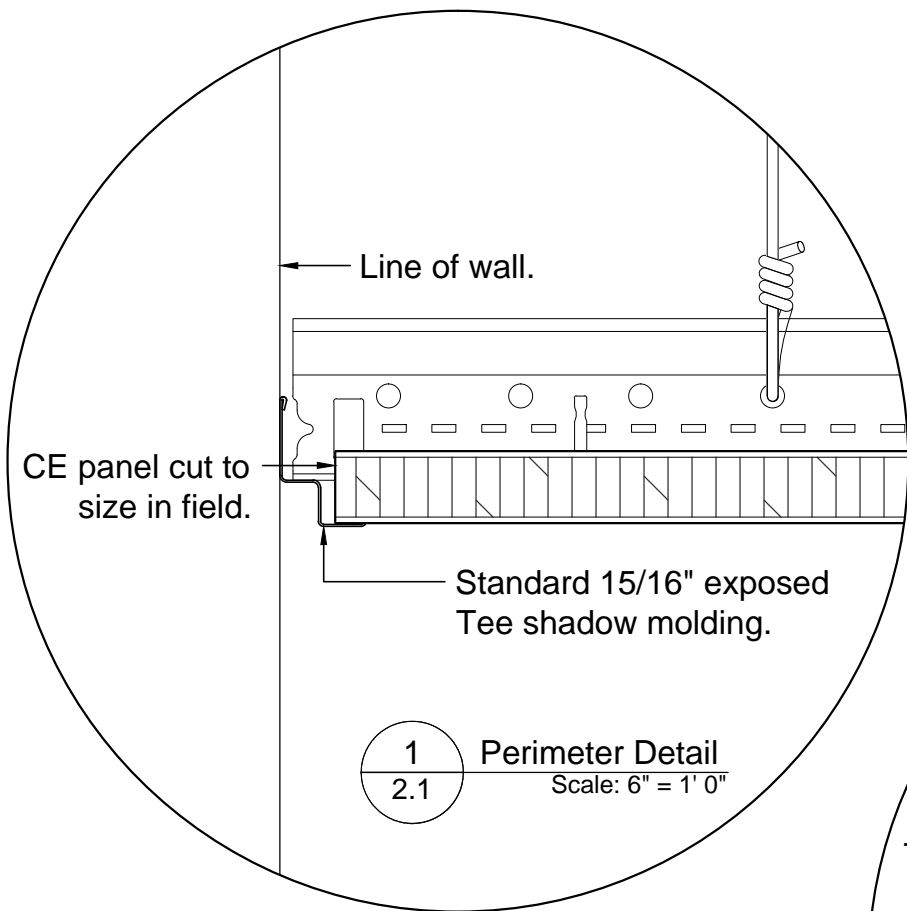


2
2.0 Concealed Edge Profile A
Sordino Concealed Edge Scale: 1-1/2" = 1' 0"

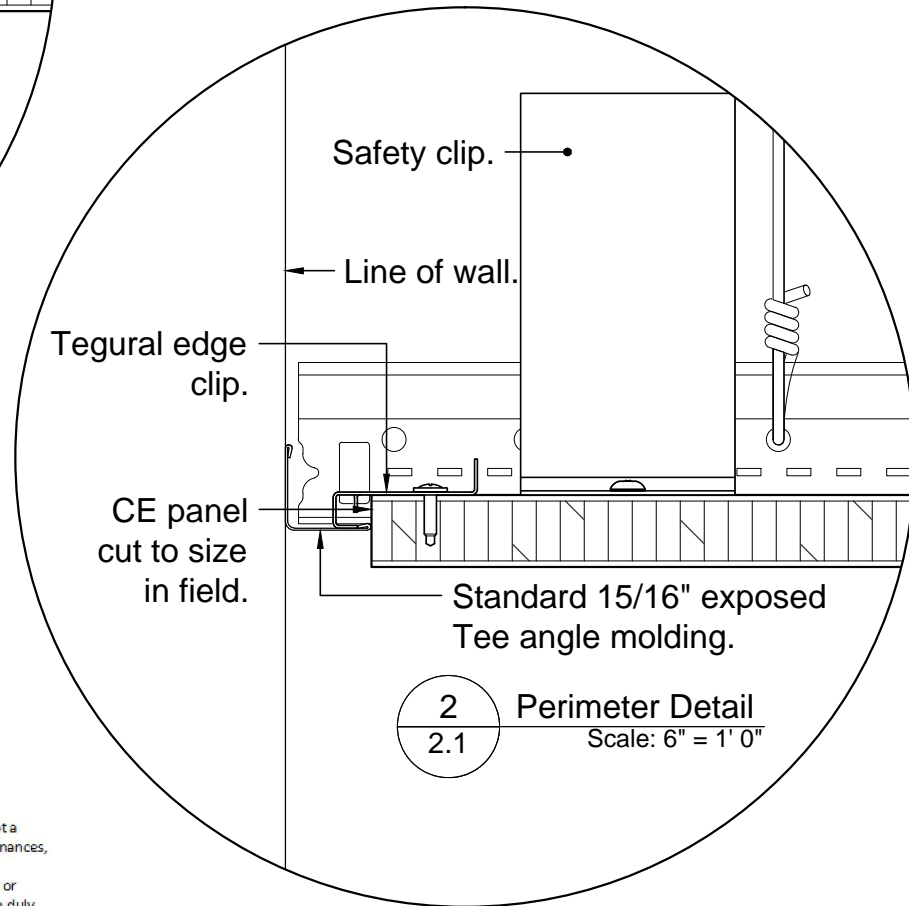


3
2.0 Concealed Edge Profile B
2' x 4' ceiling tile shown Scale: 1-1/2" = 1' 0"

These drawings show typical conditions in which the Richter Furniertechnik GmbH & Co. KG product depicted is installed. They are not a substitute for an architect's or engineer's plan and do not reflect the unique requirements of local building codes, laws, statutes, ordinances, rules and regulations (Legal Requirements) that may be applicable for a particular installation. Richter Furniertechnik GmbH & Co. KG and/or Richter Veneer Technology does not warrant, and assumes no liability for the accuracy or completeness of the drawings for a particular installation or their fitness for a particular purpose. The user is advised to consult with a duly licensed architect or engineer in the particular locale of the installation to assure compliance with all Legal Requirements. Richter Furniertechnik GmbH & Co. KG and/or Richter Veneer Technology is not licensed to provide professional architecture or engineering design services.

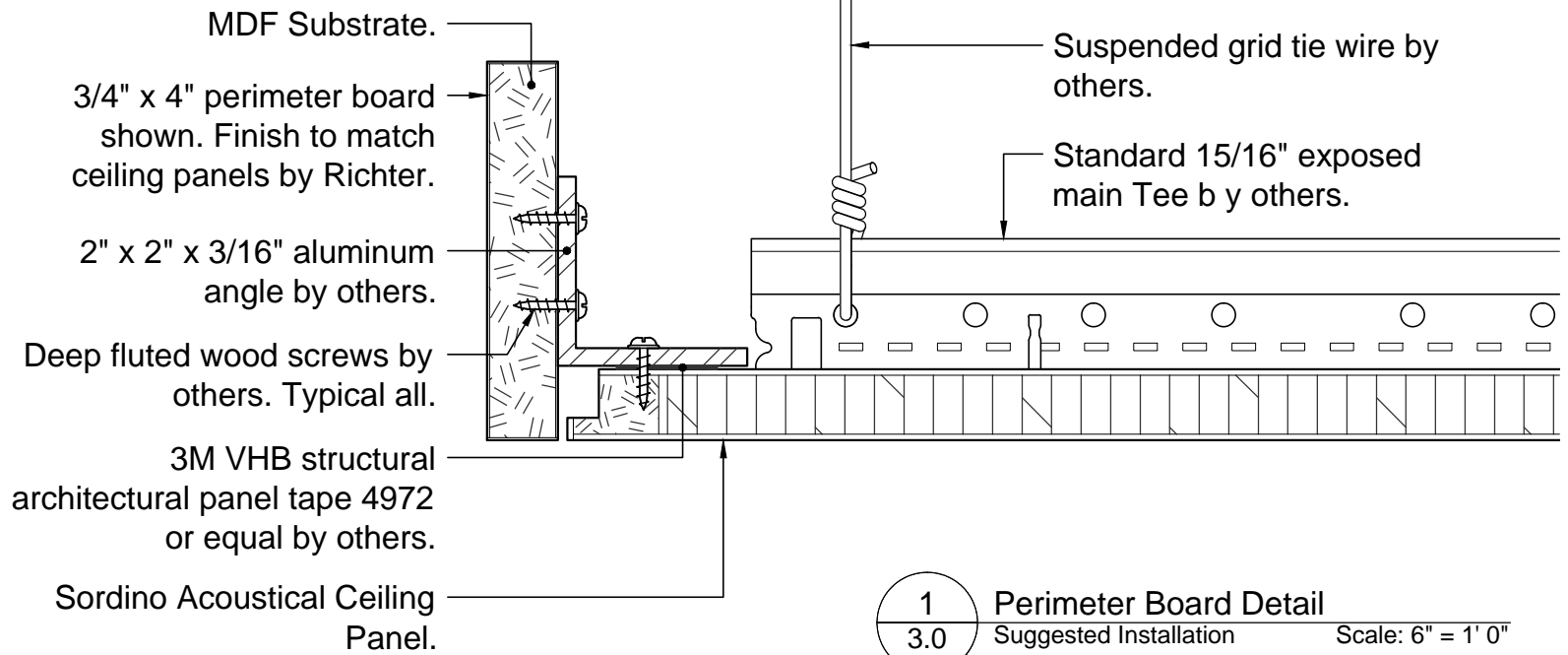


1
2.1 Perimeter Detail
Scale: 6" = 1' 0"

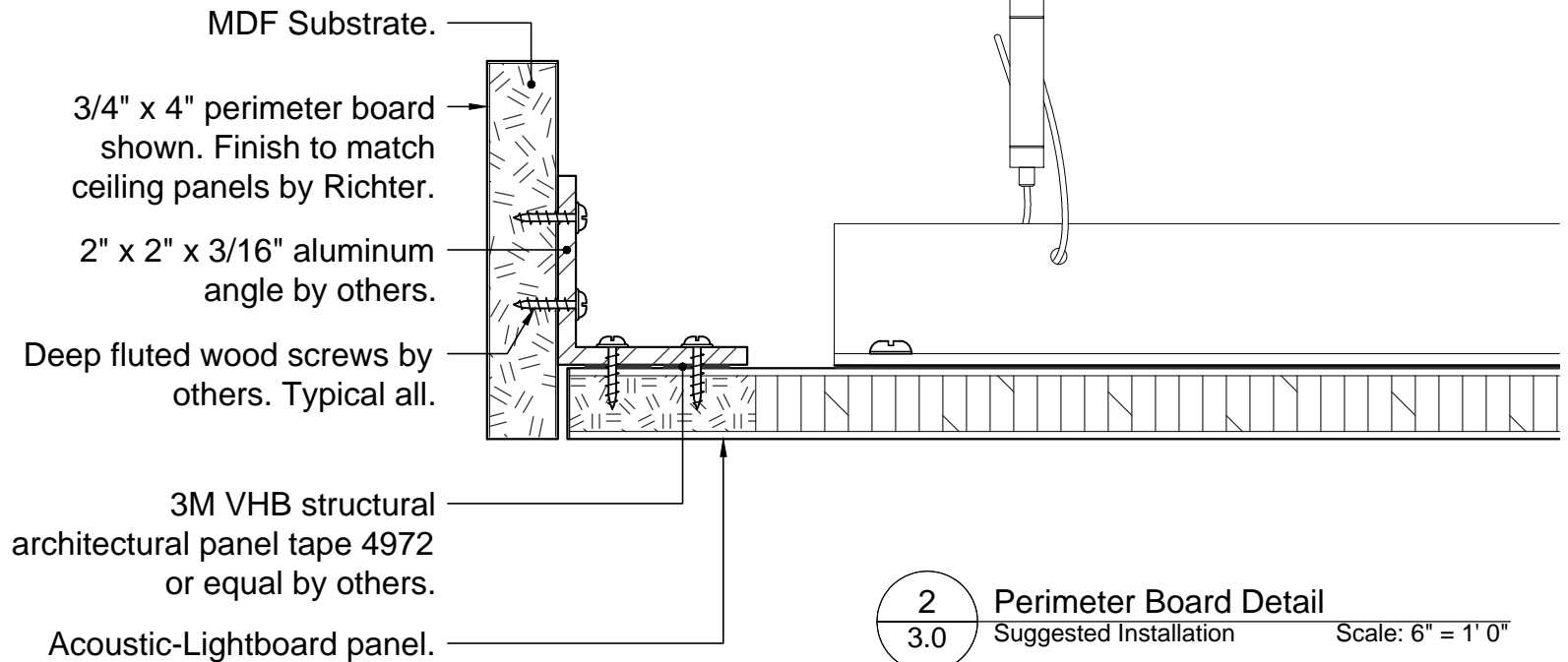


2
2.1 Perimeter Detail
Scale: 6" = 1' 0"

These drawings show typical conditions in which the Richter Furniertechnik GmbH & Co. KG product depicted is installed. They are not a substitute for an architect's or engineer's plan and do not reflect the unique requirements of local building codes, laws, statutes, ordinances, rules and regulations (Legal Requirements) that may be applicable for a particular installation. Richter Furniertechnik GmbH & Co. KG and/or Richter Veneer Technology does not warrant, and assumes no liability for the accuracy or completeness of the drawings for a particular installation or their fitness for a particular purpose. The user is advised to consult with a duly licensed architect or engineer in the particular locale of the installation to assure compliance with all Legal Requirements. Richter Furniertechnik GmbH & Co. KG and/or Richter Veneer Technology is not licensed to provide professional architecture or engineering design services.



1 Perimeter Board Detail
 3.0 Suggested Installation Scale: 6" = 1' 0"



2 Perimeter Board Detail
 3.0 Suggested Installation Scale: 6" = 1' 0"

Drwn. By: D. Novic
Revision:
Revision:
Scale: As Shown

Richter Acoustic-Lightboard
 Sordino Acoustical Ceiling Panels
 Perimeter Board Details

02/07/2012